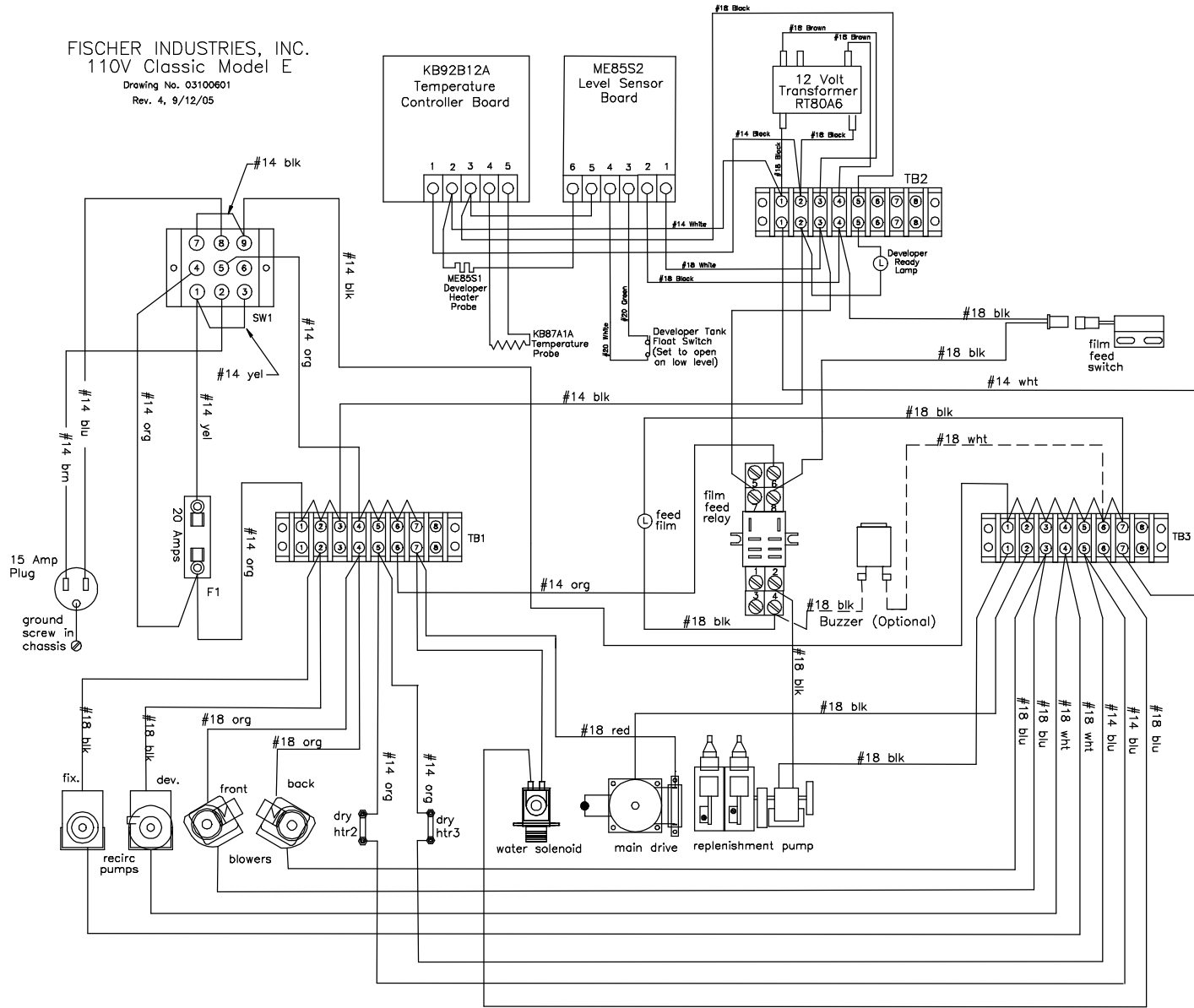


FISCHER INDUSTRIES, INC.  
110V Classic Model E

Drawing No. 03100601  
Rev. 4, 9/12/05



This drawing is the property of Fischer Industries, Inc. All content in this drawing is to remain confidential and distribution is restricted without written consent of Fischer Industries, Inc.